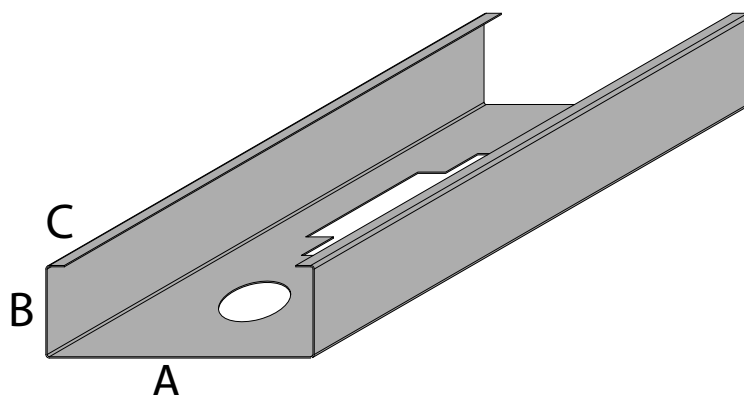
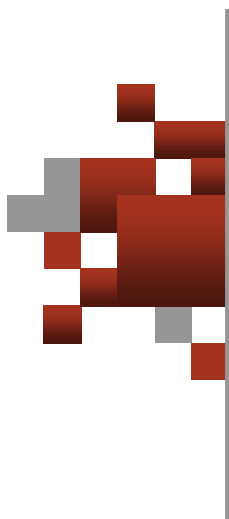


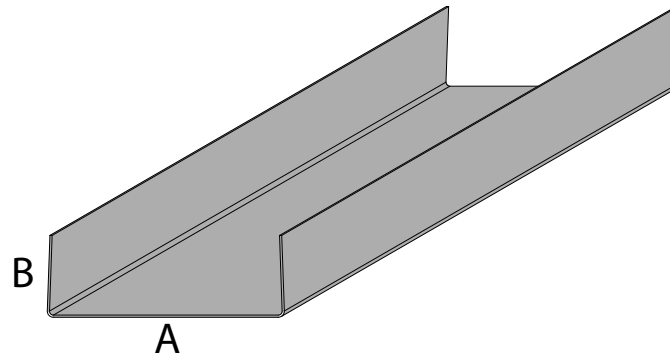
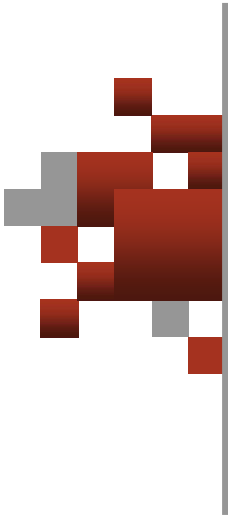
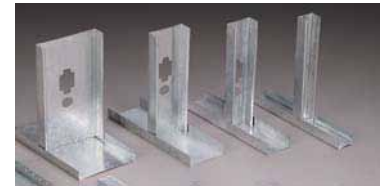
# Colombage Métallique Non-Porteur



Dimension A	Dimension B	Dimension C	Épaisseur
1 5/8'' (41 mm)	1 1/4'' (31 mm)	1/4'' (6 mm)	.0179
2 1/2'' (64 mm)	1 1/4'' (31 mm)	1/4'' (6 mm)	.0179
3 5/8'' (92 mm)	1 1/4'' (31 mm)	1/4'' (6 mm)	.0179
6'' (152 mm)	1 1/4'' (31 mm)	1/4'' (6 mm)	.0179

Fabriqués selon la norme  
ASTM-C645 Standard  
specification for nonstructural  
steel framing members

# Lisse Métallique



Dimension A	Dimension B	Épaisseur
1 5/8'' (41 mm)	1 1/4'' (31 mm) 1 3/4'' (44 mm)	.0179
2 1/2'' (64 mm)	1 1/4'' (31 mm) 2'' (50 mm)	.0179
3 5/8'' (92 mm)	1 1/4'' (31 mm) 2'' (50 mm)	.0179
6'' (152 mm)	1 1/4'' (31 mm) 2'' (50 mm)	.0179

Fabriqués selon la norme  
ASTM-C645 Standard  
specification for nonstructural  
steel framing members